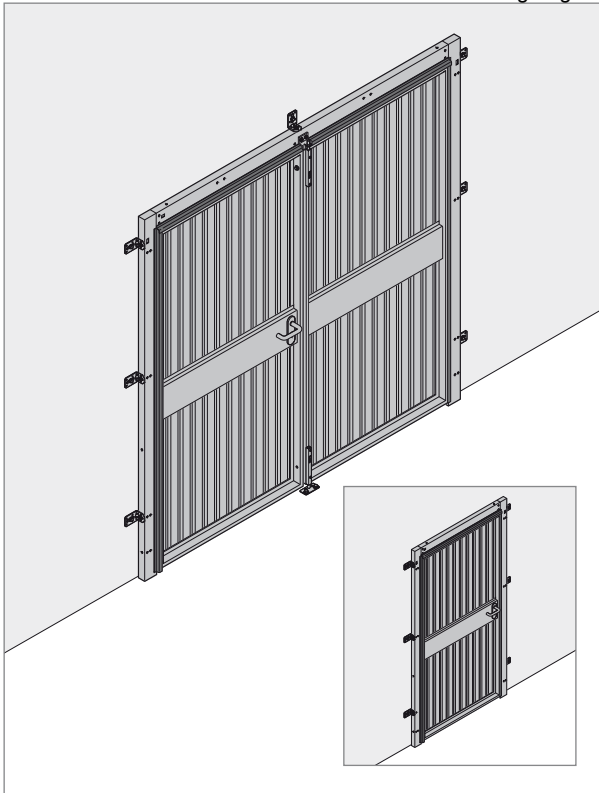




Instructions for Fitting, Operating and Maintenance

EN

Side hinged door / GDP Personnel
Door



Contents

1	 Safety Instructions	3
1.1	Qualified persons.....	3
1.2	Symbols and signal words used.....	3
1.3	Intended use.....	4
1.4	General safety instructions.....	4
2	Fitting and Initial Start-Up.....	4
2.1	Safety instructions.....	4
2.2	Fitting.....	5
3	Inspection and Maintenance	5
3.1	Safety instructions.....	5
3.2	Checking the condition of the door.....	5
3.3	Accessories	6
4	Surface Protection.....	6
4.1	Door with steel infill	6
4.2	Door with timber infill.....	6
5	Cleaning and Care	6
5.1	Door surfaces made of steel	6
5.2	Synthetic panes.....	6
5.3	Data plate	6
6	Assistance with Malfunctions.....	6
7	Dismantling	7
		8

Make sure that these instructions remain with the door operator!

Read and follow these instructions carefully!

They provide you with important information on safe fitting and operation, as well as proper care and maintenance of your garage door.

Keep these instructions and the warranty booklet with the declaration of conformity in a safe place.

Enter the serial number (see the data plate) here.

Serial no.:

1 Safety Instructions

The manufacturer is not liable for damage resulting from non-compliance with these instructions and the safety instructions.

1.1 Qualified persons

Have a qualified person (competent persons in acc. with EN 12635) fit, start-up and maintain the door following these instructions. While doing so, the requirements listed in the standards EN 12604 and EN 12635 must be observed.

1.2 Symbols and signal words used

Special safety information is provided at respective important points in these instructions. They are identified by the following symbols and signal words.



The general warning symbol indicates a danger that can lead to **injury or death**.

WARNING

Indicates a danger that can lead to death or serious injuries.

CAUTION

Indicates a danger that can lead to minor or moderate injuries.

ATTENTION

Indicates a danger that can lead to **damage or destruction of the product**.



Important note for avoiding damage to property



Permissible arrangement or activity



Non-permissible arrangement or activity

ENGLISH

1-leaf door



2-leaf door



Inspect



Dispose of components/packaging

1.3 Intended use

- The garage door is only intended for private use. If you would like to use the door in a commercial application, first check whether the currently valid national and international regulations permit such use.
- The garage door is suitable for use outside; it opens outwardly.

1.4 General safety instructions

- Protect the door from caustic, aggressive substances, e.g. nitrous reactions from stones or mortar, acids, alkali solutions, de-icing salt, aggressive paints or sealants.
- Make sure that there is sufficient water run-off and ventilation (drying) in the lower section of the side frames.
- Operation of the door during heavy winds may be dangerous.

2 Fitting and Initial Start-Up**2.1 Safety instructions****⚠ WARNING****Danger of injury**

There is a danger of injury during fitting. Observe the following instructions:



- ▶ Wear safety glasses and protective gloves.

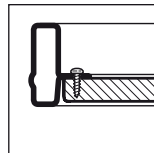


- ▶ Secure the door from falling.
- ▶ Fit all delivered fastenings according to the fitting instructions.

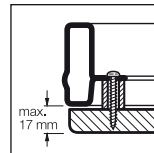
ATTENTION**Damage to the product**

Observe the following instructions:

- ▶ Use plugs, washers and screws suitable for the brickwork.
- ▶ Protect the door frame along with the hinges and door leaf against drilling dust during fitting.
- ▶ Install a door with timber infill only in dry garages.



Infill in the frame



Infill overlapping the frame

To ensure simple and safe fitting, carefully go through the work steps illustrated in Figures 1 to 4.4!

2.2 Fitting

The garage door can be fitted from the inside behind the opening or in the opening (see Figure III).

All the dimensions stated in the illustrated section are in mm.

Door for on-site infill**⚠ CAUTION****Transport locking device / max. infill weight**

Observe the following instructions to avoid any injuries:

- ▶ First install the infill and then remove the transport locking device.
- ▶ Observe the maximum infill weight of 7 kg/m².

3 Inspection and Maintenance**3.1 Safety instructions**

- ▶ Have a specialist perform inspection and maintenance work on the door at least once a year in accordance with these instructions.

⚠ WARNING

Functional parts, particularly safety components, may only be exchanged by a specialist.

3.2 Checking the condition of the door

- ▶ Visually inspect the general condition of the door, all components, and safety devices for completeness, proper condition, and effectiveness.
- ▶ Check that all of the fixing points are tight. Tighten the screws if necessary.

ENGLISH

- ▶ Lubricate all door hinges at least once a year with a standard penetrating or lube oil.
- ▶ Only use specialised care products for the profile cylinder. Do not use oil or graphite.

3.3 Accessories

To ensure a high level of quality, safety, reliability, as well as a long service life, only use original parts intended for this particular garage door.

4 Surface Protection**4.1 Door with steel infill**

The powder coating process on the door is environmentally friendly. Should deterioration of the finish start to occur you should re-paint your door immediately. Prepare the surface lightly with wet and dry. Then treat with solvent based 2 pack epoxy wash primer and a normal commercial paint (cellulose paint must not be used).

4.2 Door with timber infill

See separate instruction label on inside face of door.

5 Cleaning and Care**5.1 Door surfaces made of steel**

- ▶ Clean the door surfaces with clear water and a soft sponge or with conventional paint cleaners.

5.2 Synthetic panes**ATTENTION****Cleaning products**

Unsuitable cleaning products can cause stress cracks and damage the panes.

- ▶ Do not use any abrasive cleaners, sharp tools or alcohol-based glass cleaners.
- ▶ Clean the synthetic panes with clear water and a soft sponge or cloth.
- ▶ Use a mild, acrylic-compatible plastics cleaner if more heavily soiled. Follow the instructions for use provided by the manufacturer.

5.3 Data plate

- ▶ Clean the data plate.
It must always be easy to read.

6 Assistance with Malfunctions

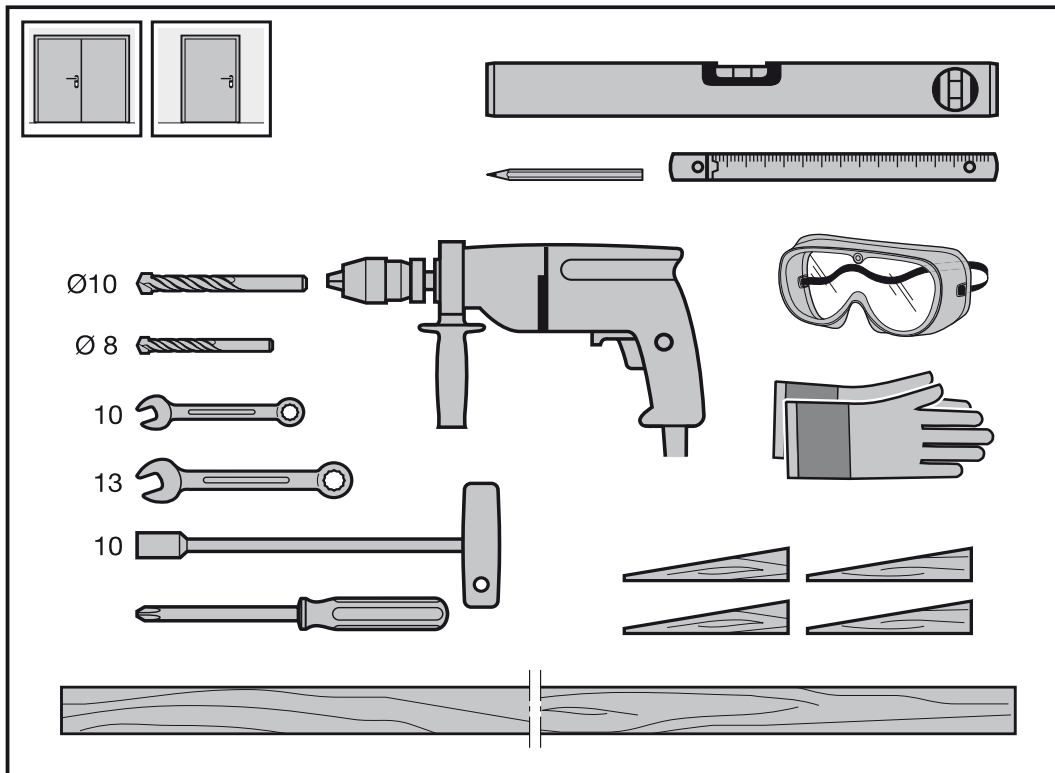
If the door is difficult to move or exhibits other malfunctions:

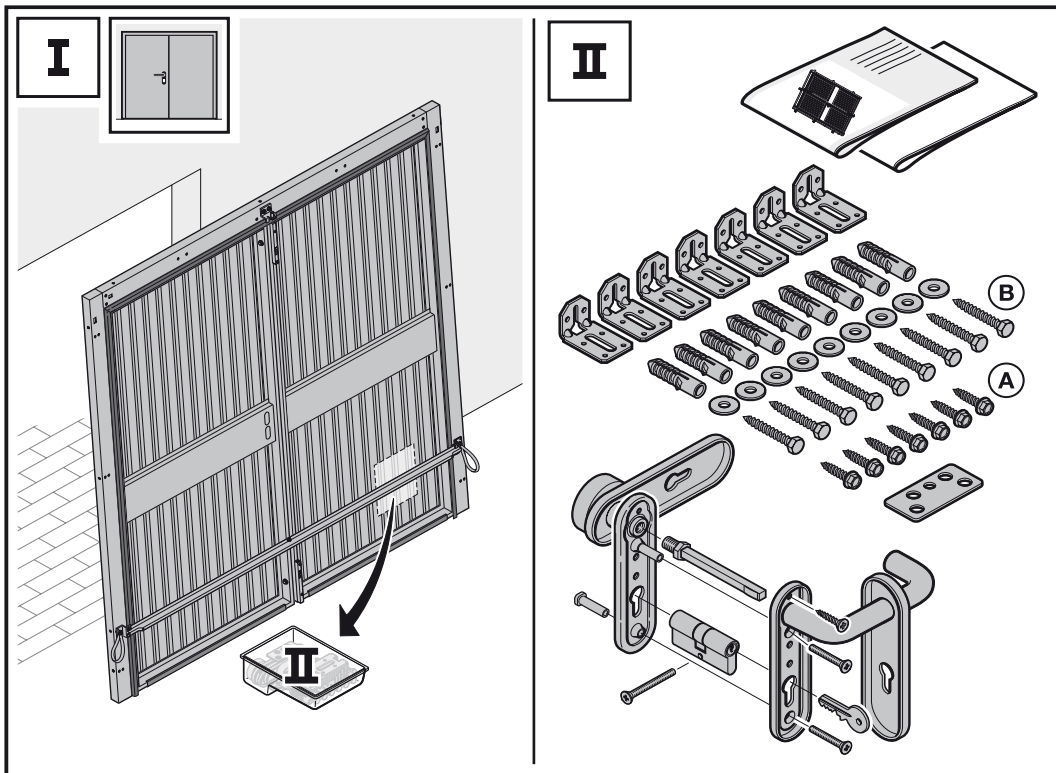
- ▶ Check all the functional parts. To do this, please follow the instructions in Chapter 3, *Inspection and Maintenance*.
- ▶ In the case of uncertainty, contact a specialist for assistance.

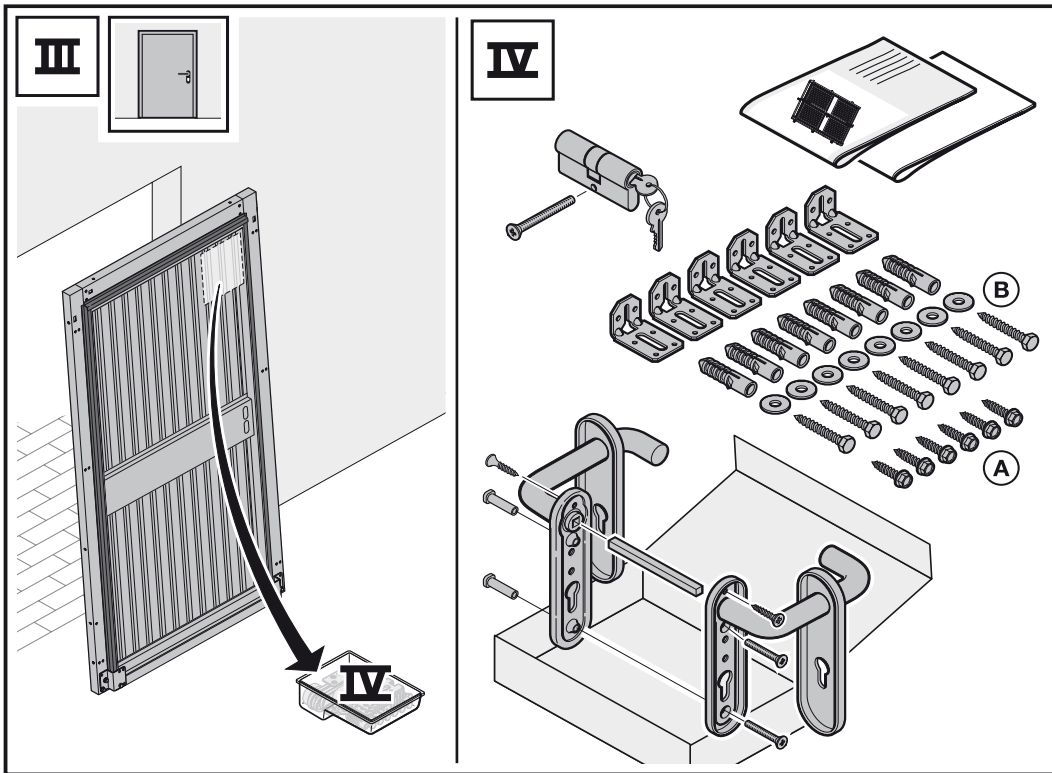
7 Dismantling

Have the door dismantled and disposed of by a specialist.

Dissemination as well as duplication of this document and the use and communication of its content are prohibited unless explicitly permitted. Noncompliance will result in damage compensation obligations. All rights reserved in the event of patent, utility model or design model registration. Subject to changes.







V

